

# **S** SIERRA EQUIPMENT INC.

Premier Technology®

**2012**

## Whirlpool Components



8505 N.W. 29 Street  
Miami, Florida 33122  
PHONE: (305) 592-0224  
FAX: (305) 592-0225  
EMAIL: [sales@sierraequipment.com](mailto:sales@sierraequipment.com)  
[www.sierraequipment.com](http://www.sierraequipment.com)

# TABLE OF CONTENT

## JET ASSEMBLIES

Trans-adjustable Jet Assemblies.....	1
Adjustassage Jet Assemblies .....	1
Mini Jet Assemblies .....	1
Mini Jet Assemblies .....	2
Micro Injector Jets .....	2
Staked Jet Assemblies .....	3
Swim Jet .....	3
Gunite Converta'ssage Jet Assembly ....	3
Gunite Micro'ssage Jet Assembly.....	3
Classic Jet Series.....	13

## FITTINGS AND ACCESSORIES

Inverted Plug .....	2
Reducing Tee.....	2
Installation and Removal Tool .....	2
PVC Nipple .....	4
PVC Cap.....	4
Suction Fittings.....	4 &13
Vacuum Break Fitting.....	5
Suction Vent.....	5
VGB 2008 Suction Kit.....	5A
Front Access Skimmer .....	5A
Skimmer for Gunite Spa.....	6
Floor Bubbler.....	6
Anti-Vortex Main Drain.....	7
Clover drain .....	7
Air Controls.....	8
Flexible PVC Pipe .....	9
PVC Schedule 40 Pipe Fittings .....	9 &10
Single Entry Ball Valve.....	11
Pump Unions Assembly .....	11, 12, & 17
Union Tail Piece .....	17

## PUMPS

Self-Draining Tub Pump .....	11 & 12
Spa/Utility Pump.....	14 & 15
50 HZ Spa Utility Pump .....	16
Heater Circulation Pump .....	17
Spa High Performance Pump .....	18
50 HZ Spa High Performance Pump ...	19

## HEATERS

Whirlpool Bath Heater .....	20 & 21
Heatmax Remote Heater System.....	21
High Performance Spa Heater ....	22 & 23
Spa Heat Pump .....	24

## FILTERS

Top Load Cartridge Filter.....	25
Cartridge Filter .....	25 & 26

## LIGHTS

Jetted Tub Underwater Light.....	5
Savi Pool and Spa Lights .....	27
Intellibrite Color Spa Lighting .....	28
Intellibrite White Light for Spa.....	28
Small Stainless Steel Niche .....	29
Electrical Junction Box.....	29
Stainless Steel Pool Transformers .....	29

## SPA BLOWER

Silencer Residential Blower .....	30
Ultra 9000 Residential Blower .....	30
Commercial Air Blower .....	31

## AIR SWITCHES & CONTROLS

Jag Series Air Sensor.....	31
Two & Three Function Air Switch.....	32
Four Function Air Switch.....	32
Vinyl Air Tubing .....	31
Air Buttons .....	33

## SPA PACKS & SPA CONTROLS

Spa Pack.....	34
Outdoor Digital Spa Pac.....	34 & 35
Air Switch Control Spa Pack.....	35
Digital Spa Control w/ heater.....	35A
Air Switch Spa Control w/ heater.....	35B

## REPLACEMENT FILTER ELEMENTS

Dinamic, Jacuzzi, Pentair, Hayward, Predator and Sta-Rite Replacement Filter Elements.....	36
--	----

## TRANS-ADJUSTABLE JET ASSEMBLIES

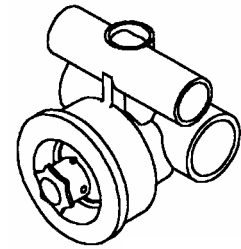
The quality, versatility and design of the Trans-Adjustable jet will provide a blend of water and air mix producing a soothing, gentle therapy your customers will appreciate

1" Water X 1/2" Air plumbing connections  
Thin Wall  
Hole Saw size 2-3/8"

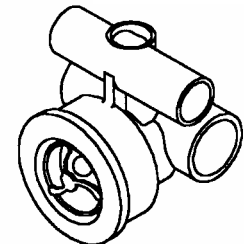
**FLOW RATE**  
**10GPM at 14PSI**

**Ordering Number**  
Star Grip Jet Assembly  
GG8010AWH White  
GG8010APC Chrome

**Ordering Number**  
Rotational Jet Assembly  
GG8012AWH White  
GG8012APC Chrome



STAR GRIP



ROTATIONAL

## ADJUSTASSAGE JET ASSEMBLIES

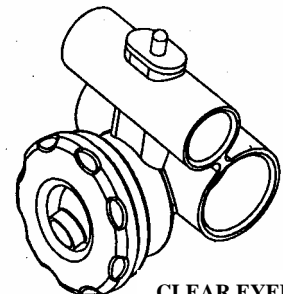
Low profile "Close fit" jet body with adjustable flow.  
Snap on one-piece assembly for easy installation.  
User friendly flow control, with continues rotation in either direction.

1" Water X 1/2" Air plumbing connection  
Thin Wall  
Hole Saw size 1-3/4"

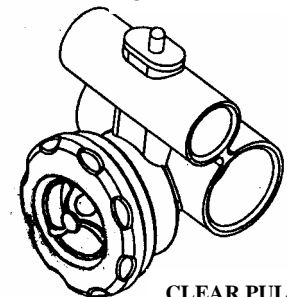
**FLOW RATE**  
**10GPM at 14PSI**

**Ordering Number**  
Clear Eyeball Assembly  
GG7090AWH White  
GG7090APC Chrome

**Ordering Number**  
Clear Pulse Assembly  
GG7095AWH White  
GG7095APC Chrome



CLEAR EYEBALL



CLEAR PULSE

## MINI JET ASSEMBLIES

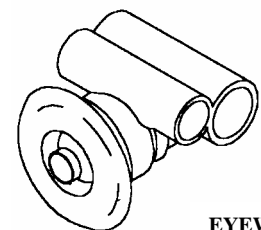
Looks and performance at a budget price.  
Low profile "Close fit" jet body .

1" Water X 1/2" Air plumbing connection  
Thin Wall  
Hole Saw size 1-3/4

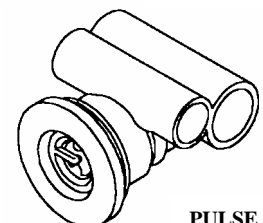
**FLOW RATE**  
**10GPM at 14PSI**

**Ordering Number**  
Eyeball Assembly  
GG23320AWH White  
GG23320APC Chrome

**Ordering Number**  
Clear Pulse Assembly  
GG23326AWH White  
GG23326APC Chrome



EYEWALL



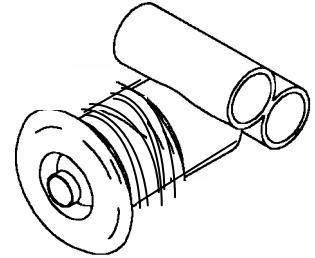
PULSE

**MINI JET ASSEMBLIES**

Looks and performance at a budget price

1" Water X 1" Air plumbing connection  
Long Wall  
Hole Saw size 1-3/4

**FLOW RATE**  
**10GPM at 14PSI**



**Ordering Number**

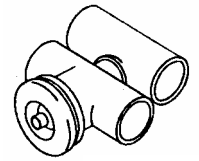
Eyewall Assembly  
GG23043ALWH White  
GG23043ALPC Chrome

**MICRO INJECTOR JETS**

This small jets does wonders as body massage for the back or neck. Available in White and Polished Chrome Finish.

1/2" Water X 1/2" Air plumbing connection.  
Thin Wall  
Hole Saw size 1"

**FLOW RATE**  
**5GPM at 14 PSI**



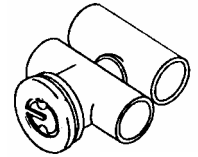
EYEWALL

**Ordering Number**

Eyewall Assembly  
GG4011AWH White  
GG4011APC Chrome

**Ordering Number**

Pulse Assembly  
GG4012AWH White  
GG4012APC Chrome

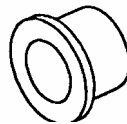


PULSE

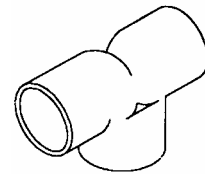
**FITTINGS**



GG00055  
1/2" Inverted Plug

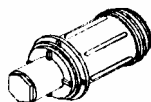


GG00015  
1" Inverted Plug

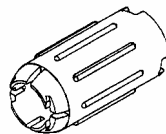


GG401-133  
1" X 1" X 1-1/2" Reducing Tee

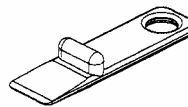
**TOOLS**



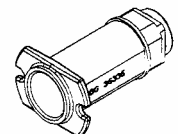
GG22550  
Installation tool for  
Trans-Adjustable jets



GG22555  
Installation Tool for  
Trans-Adjustable jets



GG20379  
Removal Tool  
for Snap-In  
Escutcheon



GG36335  
Installation Tool  
For Adjustassage

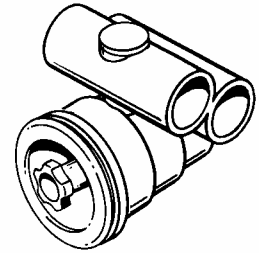
**FREEDOM SERIES  
STAKED JET ASSEMBLIES**

1"Water X 1"Air connection  
Thin Wall  
Hole Saw size 2-5/8"

**FLOW RATE**  
**14GPM at 18PSI**

Fully adjustable air and water.  
50 degree directional adjustment

**Ordering Number**  
Adjustable Eye Assembly  
HA10-FSB11AWH White  
HA10-FSB11ABON Bone  
HA10-FSB11AGRY Gray



**Ordering Number**  
Optional Metal Escutcheon  
HA10-5845M BPL SS Stainless Steel  
HA10-5845M BPL PB Polished Brass

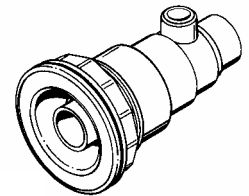


**SWIM JET**

1-1/2" Water X 1/2" Air connection  
Thin Wall  
Hole Saw size 3-5/16"  
Clearance 6-1/2" behind tub wall  
Requires 4-1/2" front flat area

1" Nozzle whirlpool swim jet  
for high flow swim applications

**Ordering Number**  
Jet Assembly  
HA16-5759WHT White **FLOW RATE**  
**97GPM at 13PSI**

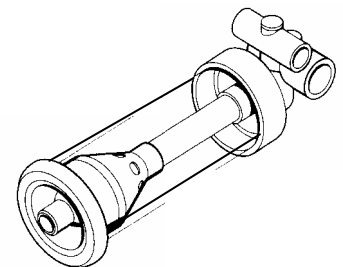


**FIS GUNITE CONVERTA'SSAGE  
JET ASSEMBLY**

1-1/2" Water X 1" Air connection.  
Gunite or Concrete installation only  
Install at least 8" below water level  
or water will splash out of spa when  
the jets are on. Needs one SE825A  
PVC nipple and one SE850A PVC  
nipple to complete installation.

A directional jet for gunite and  
concrete spas. Includes jet body,  
nozzle adapter, fitting adapter and  
converta-ssage escutcheon assembly.

**Ordering Number**  
Jet Assembly  
HA10-4553WHT White **FLOW RATE**  
**13gpm at 12PSI**

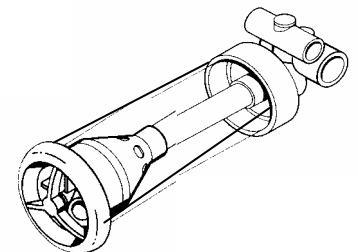


**FIS GUNITE MICRO'SSAGE  
JET ASSEMBLY**

1-1/2" Water X 1" Air connection  
Gunite or Concrete installation only  
Install at least 8" below water level  
or water will splash out of spa when  
the jets are on. Needs one SE825A  
PVC nipple and one SE850A PVC  
nipple to complete installation.

A rotating path jet for gunite and  
concrete spas. Includes jet body, nozzle  
adapter, fitting adapter and micro'ssage  
grill & flow path assembly.

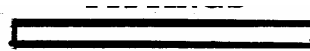
**Ordering Number**  
Jet Assembly  
HA16-5280WHT White **FLOW RATE**  
**13GPM at 12PSI**



**FITTINGS**



SE825A  
2-1/2" x 10" PVC NIPPLE



SE850A  
1/2" X 10" PVC NIPPLE



SM447-025  
2-1/2" PVC CAP



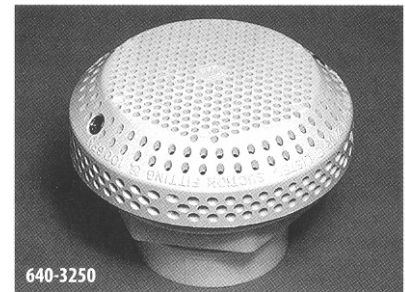
**Suction Fitting**

The 3.5" 20 GPM Hi-Flo suction assembly for spa and bath wall suction has been design engineered to provide the safest and highest possible flow.

Features:

- Complies with VGB 2008 and is UL tested to meet the requirements of ASME A112.19.8-2007
- New Hi-Flo rating of 20 GPM
- Available in 1-1/2" S sizes
- Can be used with vacuum break fitting for an extra high rating of 92 GPM

Hole saw size: 2-3/8"  
1-1/2" Water connection

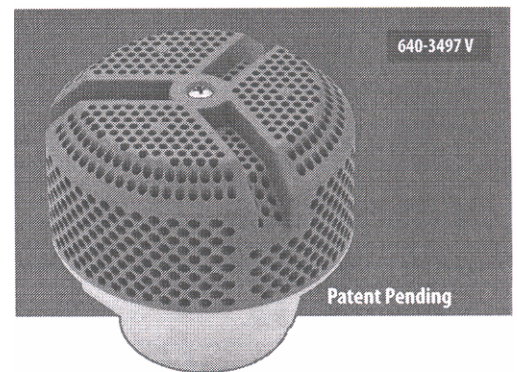


**Ordering Number**  
Suction Assembly  
WW640-3250V White

The 3.75" Ultra Hi-Flo Waterway suction are compliant with the Virginia Graeme-Baker Pool and Spa Safety Act (ASME/ANSI A 112.19.8-2007) and are UL Certified. They are designed for single or multiple drain use.

Wall Flow Rate: 120 GPM @ 6.19 ft/sec  
29 GPM @ 1.5 ft/sec

Hose saw size: 2-3/8"  
1-1/2" Water connection



**Ordering Number**  
Tall Suction Assembly  
WW640-3490V White

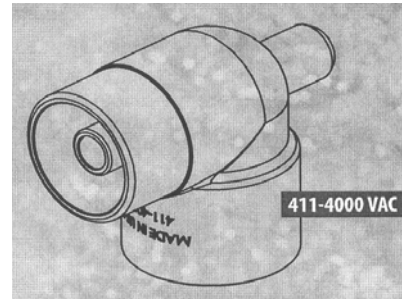


## Vacuum Break Fitting

In case of obstruction of suction fitting opening, the differential pressure causes air to be pulled into pump suction line. As a result, pump will lose prime and breaks the vacuum behind the suction cover.

### Features

- Improves performance and safety
- Complies with VGB 2008 and is UL tested to meet the requirements of ASME A112.19.9-2007
- Increases UL Approved flow rating to 92 GPM



### Ordering Number

SPG with Vacuum Break Port  
WW411-4000VAC

Approved for use with 640-3250

## Suction Vent

The Suction Vent is used in conjunction with the Vacuum Break Fittings to induce air into the pump suction line.

### Features

- Improves performance and safety
- Complies with VGB 2008

### Ordering Number

3/4"SB Suction Vent  
WW640-3750V



## Jetted Tub Underwater Light



Turn down those bathroom lights, bringing romance and excitement to any jetted tub. This 3.5" in diameter low voltage bath light will fill your whirlpool tub with a luminous pool of soft light.

### Order No.

GG59350

3.5" Bath light kit, lens, nut, gasket, reflector, relamp tool, & bulb holder with 2 pin amp plug.

GG59912

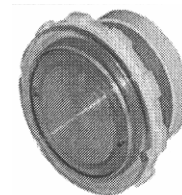
12 watts, 12 volts bulb

GG59910

115V/ 12V Transformer box with cord and bulb holder.

GG59920

230V/ 12V Transformer box with cord and bulb holder.



12W Bulb



## VGB 2008 Suction Kit

The 211 GPM suction fitting that meets the new VGB 2008 Law for spa suction. When the suction cover is obstructed, air is pulled through the 3/4" ID tubing cavitating the pump so it loses prime and water flow is minimized.

The assembly consists of the suction cover, the wall fitting, the nut, the adapter (not glue) and the gasket



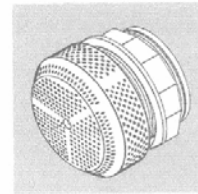
**Ordering Number**  
Suction Assembly Kit  
GG30211U-LGWH

## Suction Fitting

Hole saw size: 3-3/8"  
2" Water Connection

The spa wall 5" suction fitting has been design to provide the highest possible flow up to 204 gpm

**Ordering Number**  
Suction Assembly  
HA10-6714 WHT      White

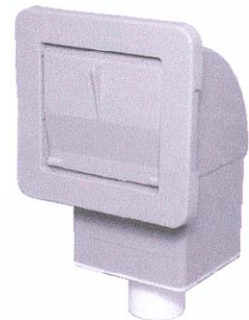
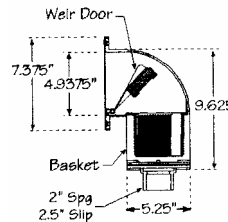


## Front Access Skimmer

### Features

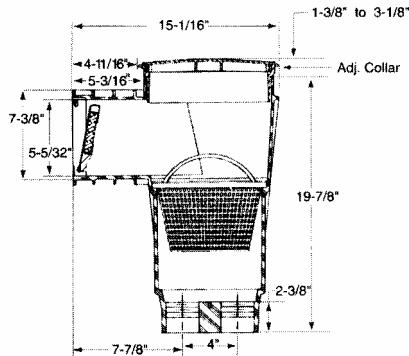
Easy installation with 1-1/2" S inside and 2" Spg outside connection. It has a Flow Control and Trim Plate. Hardware kit is included.

**Ordering Number**      Description  
WW510-1500      Front Access Spa Skimmer





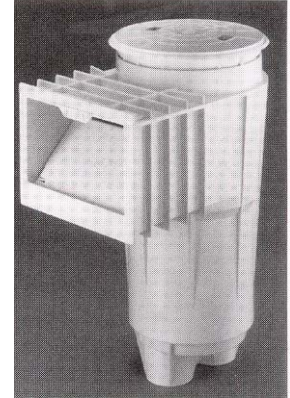
## Bermuda™ Skimmers for Gunite Spa



### Features

White PVC Skimmer for concrete or gunite spa with 2" Slip ports.

Heavy duty, one-piece PVC construction with sturdy external ribbing provides superior strength. Advance design allows 10 to 55 gpm flow rate and thru basket vacuuming.

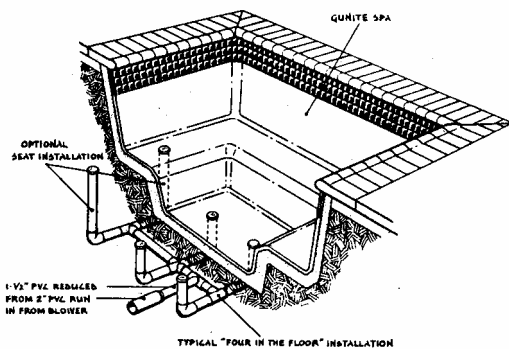


**Ordering Number**  
PP506300

**Description**  
2" Slip Ports Gunite Skimmer

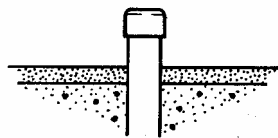
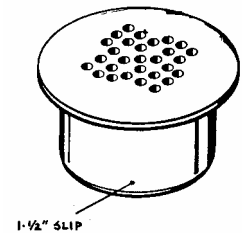
**Weight(Lbs)**  
10

## Floor Bubbler

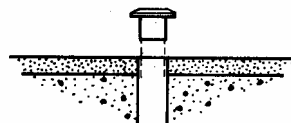


### Installation Instructions

After the basic manifold is set and gunite is completed the 1-1/2" pipe stubs should rise above the gunite to permit the aerator cap to be cemented inside of the 1-1/2" pipe. After the aerator caps are in place the plaster is filled flush to the aerator cap.



1-1/2" pipe, capped, stubbed out above spa floor and/or seat



Pipe cut flush with finish Coat, ready for gunite aerator cap

**Ordering Number**  
PP46550000

**Description**  
1-1/2" White Aerator Cap (Fit inside 1-1/2" PVC Sch 40 Pipe)

## Residential Pool Drain Covers

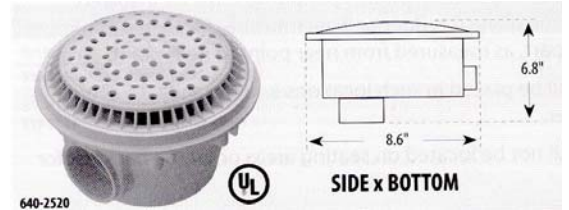
Waterway main drain covers are compliant with the Virginia Graeme-Baker Pool and Spa Safety Act (ASME/ANSI A112.19.8-2007) and are UL Certified. They are designed for single or multiple drain use. The drain cover assembly includes frame and stainless steel screws with brass inserts.

### Anti-Vortex Drain Covers

Ordering Number	Description	Flow Rate Floor (GPM)
-----------------	-------------	-----------------------

WW640-2310V	8" Anti-Vortex Drain	100
-------------	----------------------	-----

WW640-2550V	8" Anti-Vortex 8" Main Drain 2" FPT Side x Bottom	
-------------	--	--



### Frame & Grate Drain Covers



Ordering Number	Description	Flow Rate Floor (GPM)
WW640-4700 V	9" x 9" Frame & Grate.	289
WW640-4720 V	12" x 12" Frame & Grate.	356
WW640-4750 V	18" x 18" Frame & Grate	540

#### Clover Drain

Waterway clover drains are compliant with the Virginia Graeme-Baker Pool and Spa Safety Act (ASME A112.19.8-2007 and ASME A112.19.8a-2008) and are NSF Certified. They are designed for single or multiple drain use. This drain assembly includes cover, sump frame, sump body, plug, and stainless steel screws.

The Waterway 640-1000 V series clover drain is available in:

- White



Model No.	Description	Size	Total Open Area Square Inches	Floor Flow Rate GPM	Wall Flow Rate GPM	Flow Rate GPM @ 1.5 ft/sec
640-1000 V	Clover Drain	Irregular	78.92	840 @ 3.71 ft/sec	508 @ 2.24 ft/sec	341.2

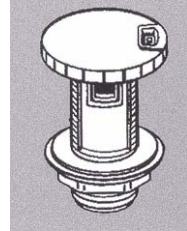
**AIR CONTROLS**

Slimline silent air control. 90 degrees Min/Max for vertical or horizontal installation.

Hole Saw size: 1-1/16"  
Socket Size: 1/2"

**1/2" Air Control Assembly**

HA10-2510WHT White  
HA10-2510BON Bone



**METAL ESCUTCHEONS**

Escutcheon with handle to fit Slimline air control

HA10-2522M PC Polished Chrome  
HA10-2522M PB Polished Brass



**AIR CONTROLS**

Quality air control for the budget minded. For vertical or horizontal installation.

Hole Saw size: 1-1/16"  
Socket Size: 1/2"

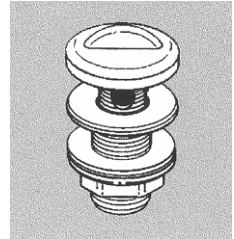
**1/2" Air Control Assembly**

HA10-2200WHT White

Hole Saw size: 1-11/16"  
Socket Size: 1"

**1" Air Control Assembly**

HA10-2100WHT White



**AIR CONTROLS**

Top draw air control with smooth snap cap

Hole Saw size: 1-1/8"  
Socket Size: 1/2"

**1/2" Air Control Assembly**

GG13712-WH White  
GG13712-BO Bone  
GG13712-PC Plated Chrome



Hole Saw size: 1-3/4"  
Socket Size: 1"

**1" Air Control Assembly**

GG13552-WH White



Smooth cap under-skirt air control

Hole Saw size: 1-5/16"  
Socket Size: 1/2"

**1/2" Air Control Assembly**

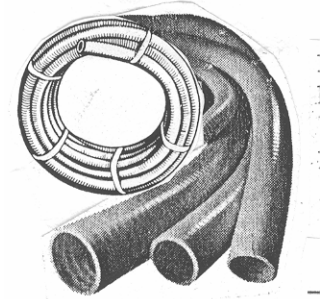
GG13676-WH White  
GG13676-BO Bone  
GG13676-PC Plated Chrome



**PACIFIC ECHO, INC.**

**Flexible PVC Pipe**


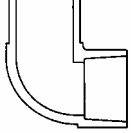
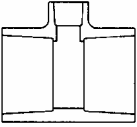
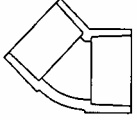
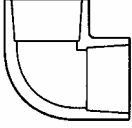
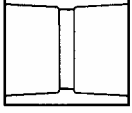
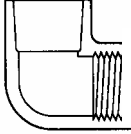
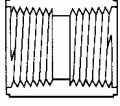
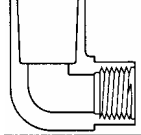
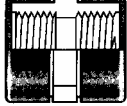
PVC flex-pipe is lighter than rigid PVC so it's easier to handle and less expensive to transport. Coils into 2-1/2 feet radius for easy shipping. Lends itself to working in tight places. Flexibility means 50% less fittings are needed. IAPMO approved pipe.



PE710WH050	1/2" X 50 ft. Roll
PE710WH100	1" X 50 ft. Roll
PE710WH150	1-1/2" X 50 ft. Roll
PE710WH250	2" X 50 ft. Roll



**PVC White Schedule 40 Fittings**

SM401-005 1/2"	 <b>TEE SOCKET</b>	SM409-005 1/2"	 <b>90° STREET ELL SPIG X SOC</b>
SM401-010 1"		SM409-007 3/4"	
SM401-015 1-1/2"		SM409-010 1"	
SM401-020 2"		SM409-015 1-	
SM401-130 1" X 1/2"	 <b>REDUCING TEE SOCKET</b>	SM417-005 1/2"	 <b>45° ELL SOCKET</b>
SM401-133 1" X 1-1/2"		SM417-010 1"	
SM401-210 1-1/2" X 3/4"		SM417-015 1-1/2"	
SM401-213 1-1/2" X 2"		SM417-020 2"	
SM401-251 2" X 1-1/2"			
SM406-005 1/2"	 <b>90° ELL SOCKET</b>	SM429-005 1/2"	 <b>COUPLING SOCKET</b>
SM406-010 1"		SM429-010 1"	
SM406-015 1-1/2"		SM429-015 1-1/2"	
SM406-020 2"		SM429-020 2"	
SM407-005 1/2"	 <b>90° ELL SOC x FIPT</b>	SM430-005 1/2"	 <b>COUPLING FIPT</b>
SM407-015 1-1/2"		SM430-007 3/4"	
		SM430-010 1"	
SM407-130 1" X 1/2"	 <b>REDUCING 90° ELL SOC X FIPT</b>	SM430-015SR 1-1/2"	 <b>SR FIPT</b>

Fittings continues next page

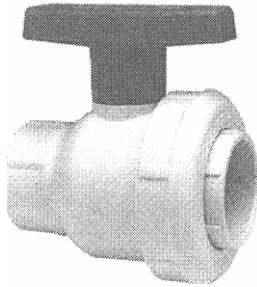


**PVC WHITE SCHEDULE 40 FITTINGS**

SM435-005 1/2"		<b>FEMALE ADAPTER SOC X FIPT</b>	SM447-005 1/2"		<b>CAP SOCKET</b>
SM435-010 1"			SM447-010 1"		
SM435-015 1-1/2"			SM447-015 1-1/2"		
SM435-020 2"					
SM436-010 1"		<b>MALE ADAPTER MIPT X SOCKET</b>	SM450-005 1/2"		<b>PLUG MIPT</b>
SM436-015 1-1/2"			SM450-007 3/4"		
SM436-020 2"			SM450-010 1"		
	SM450-015 1-1/2"	SM450-020 2"			
SM436-294 2-1/2" X 3"		<b>REDUCING MALE ADAPTER MIPT X SOCKET</b>	SM457-005 1/2"		<b>UNION SOCKET BUNA-N O-RING SEAL</b>
			SM457-007 3/4"		
	SM457-010 1"				
	SM457-015 1-1/2"	SM457-020 2"			
SM437-130 1" X 1/2"		<b>REDUCING BUSHING FLUSH STYLE SPIG X SOCKET</b>	SM458-010 1"		<b>UNION FIPT BUNA-N O-RING SEAL</b>
SM437-211 1-1/2" X 1"			SM458-015 1-1/2"		
SM437-249 2" X 1"			SM458-020 2"		
SM437-251 2" X 1-1/2"					
SM438-130 1" X 1/2"		<b>REDUCER BUSHING FLUSH STYLE SPIG X FIPT</b>	SM474-005 1/2"		<b>INSERT ADAPTER INSERT X SOCKET</b>
SM438-209 1-1/2" X 1/2"			SM478-005 1/2"		
SM438-210 1-1/2" X 3/4"					
SM438-211 1-1/2" X 1"					
					<b>PVC GRAY SCHEDULE 80 FITTINGS</b>
SM439-072 1/2" X 1/4"		<b>REDUCER BUSHING MIPT X FIPT</b>	SM805-020 2"		<b>TEE FIPT</b>
SM439-098 3/4" X 1/4"			SM817-020 2"		
SM439-101 3/4" X 1/2"					
SM439-130 1" X 1/2"					
SM439-131 1" X 3/4"					
SM439-209 1-1/2" X 1/2"					
SM439-210 1-1/2" X 3/4"					
SM439-211 1-1/2" X 1"					
SM439-249 2" X 1"					
SM439-251 2" X 1-1/2"					
					<b>NIPPLES MIPT</b>
					SM882-060 1/2" X 6"
					SM883-060 3/4" X 6"
					SM884-060 1" X 6"
					SM886-030 1-1/2" X 3"
					SM886-060 1-1/2" X 6"
					SM886-120 1-1/2" X 12"



## Single Entry Ball Valve



### PVC WHITE

SM2412-005 W	1/2"
SM2412-007W	3/4"
SM2412-010W	1"
SM2412-012W	1-1/4"
SM2412-015W	1-1/2"
SM2412-020W	2"
SM2412-030W	3"
SM2412-040W	4"

**Maximum Service Temperature**

**PVC = 140°F**

**Pressure Deratings Apply  
Rated for Vacuum Service**

**Pressure Rating @ 73°F, Water**

**1/2" - 2"     235 psi**  
**3" - 4"     150 psi**



## Self-Draining Bathtub Pump

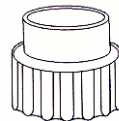
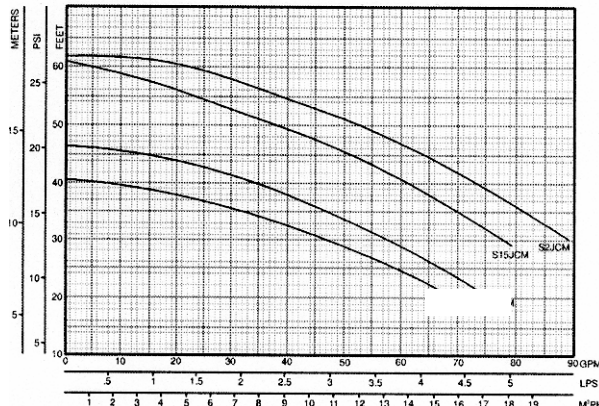
### Features

- 100% self-draining case satisfies both UL and IAPMO standards.
- Air-cooled heat sink allows pump to run dry without damage to the shaft seal.
- Floating eye seal between the closed impeller and the pump case maximizes pump efficiency for best flow and pressure.
- \* Union adapter kits must be ordered separately

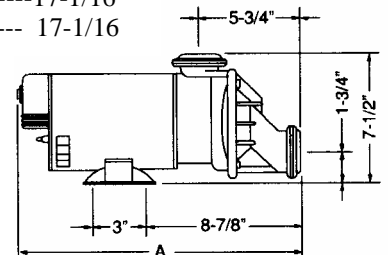
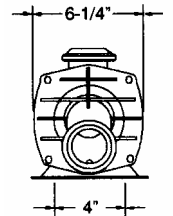


### Ordering Number

94216603     S15JCM-A3   1-1/2 HP -115 Volts- 12.4 Amps. Bathtub Pump  
94216447     S2JCM-A3     2 HP -115/230 Volts -16/8 Amps. Bathtub Pump  
31175608     (2) S15UNS Halves   Straight Union



**Dimension A**  
1-1/2 HP-----17-1/16"  
2 HP ----- 17-1/16"





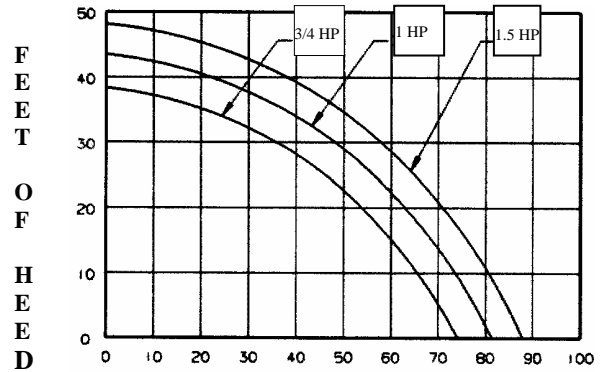
## PA Series



Quiet and powerful are the features that the PA Series Whirlpool Pumps delivers. Six vanes in the impeller boost performance while reducing noise, giving the bather a luxurious experience

### Performance

120 Volts, 60 Hertz

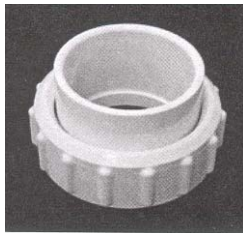


### Features:

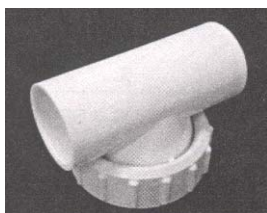
- Quiet Operation
- Compact Design
- UL Approved
- Self-draining Volute
- With Cord & Air Switch

Discharge Gallons per Minute

Ordering Number	HP	Volts	Amperage	Max GPM	Suction & Discharge
NUPA07500UCS	3/4	120	5.8	60	1-1/2"
NUPA10000UCS	1	120	8.0	70	1-1/2"
NUPA15000UCS	1.5	120	10.8	80	1-1/2"



**Ordering No.**                      **Description**  
 NU601102                      1-1/2" Pump Union  
**Must ordered separately**



**Ordering No.**                      **Description**  
 NU601103                      1-1/2" Pump Union Tee  
**Must ordered separately**



## CLASSIC JET SERIES

Classic Jets are highly versatile to suit your particular needs.

- 1" Water x 1/2" Air plumbing connection
- Thin Wall
- Hole size 1-11/16"
- Flow Rate 9 GPM at 15 PSI



### SCALLOP DIRECTIONAL CLASSIC JET

Order No.	Color
NUVC50SAXFC75S101	White
NUVC50SAXFC75S102	Bone
NUVC50SAXFC75S160	Chrome

## SAFETY SUCTION ASSEMBLY

Includes Integral check valve in the elbow that eliminates the need for external tubing.

- Flow Rate: 118 GPM
- Hole saw size: 2-3/4"
- Cover: 9.1 cm OD
- Elbow: 1-1/2" Socket



Order No.	Color
NUSSC11SC01	White
NUSSC11SC02	Bone
NUSSC11SC60	Chrome



## Spa/ Utility Pump

### Features

- Reliable center discharge performance
- 1-1/2" intake and discharge
- Wet end can be rotated for easy installation

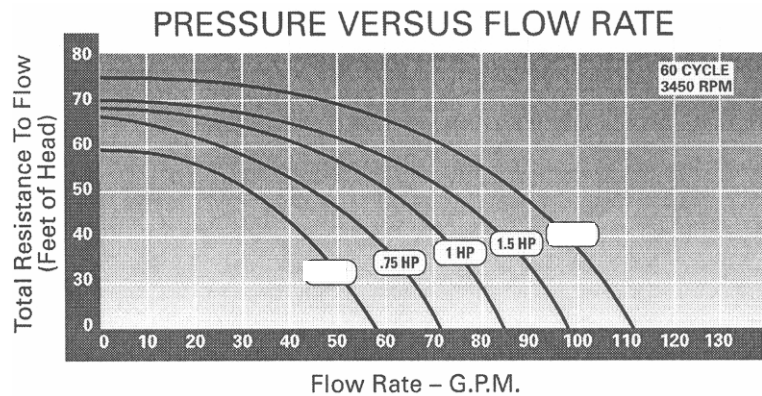
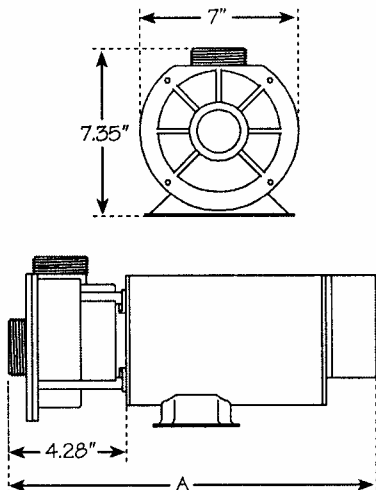


### 1- Speed

Ordering Number	HP	Volts	Amps.	Dimension A
WW3410310-15	3/4	115	9.8	14"
WW3410410-15	1	115	12	14-1/2"
WW3410610-15	1-1/2	115	17	15-1/8"

### 2-Speed

Ordering Number	HP	Volts	Amps High Speed	Amps Low Speed	Dimension A
WW3420310-15	3/4	115	8.8	2.6	15"
WW3420410-15	1	115	11	2.9	15"
WW3420620-15	1-1/2	230	16.4	4.4	15-3/4"



Select items are U.L. recognized.  
File #E128519 and

## Executive Spa /Utility Pump

### Features

These pumps have a large 2" intake for improved flow performance and reduced noise. It has a large 6-1/2" diameter wet end for higher head pressure. It is thermally protected to extent life expectancy of electric motor. The highly versatile wet end can be rotated every 90 degrees.

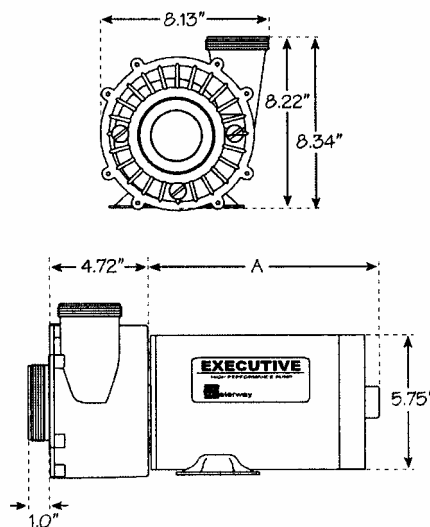


### 1-Speed

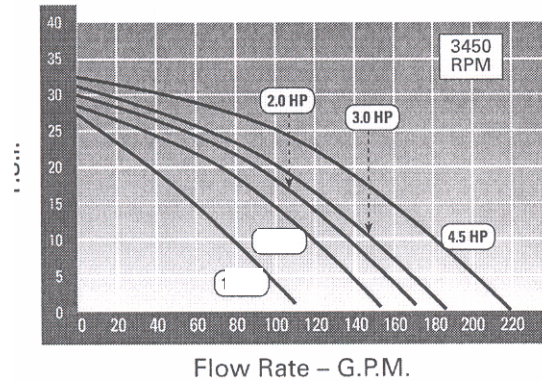
Ordering Number	HP	Volts	Amps	Dimension A
WW3410830-1A	2	115/230	20/10	11"
WW3411621-1A	4	230	12	11-3/16"

### 2-Speed

Ordering Number	HP	Volts	Amps High Speed	Amps Low Speed	Dimension A
WW3420820-1A	2	230	8.5	2.6	11"
WW3421221-1A	3	230	10.5	2.8	11"
WW3421821-1A	4.5	230	12	3.5	12"



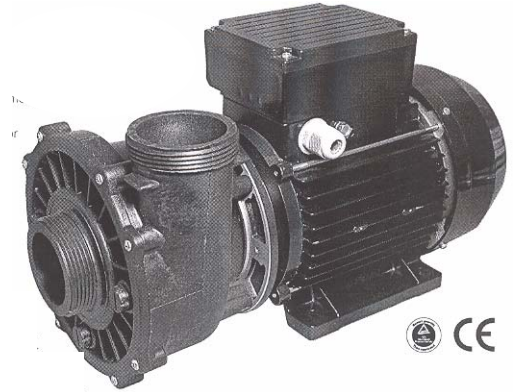
PRESSURE VERSUS FLOW RATE



## Executive Euro Spa/Utility Pump 50 HZ

### Features

- High performance Executive wet end designed for 56-Frame motors.
- Large 2" intake for improved flow performance and noise reduction.
- Large 6" diameter wet end for higher head pressure
- \* Highly versatile wet end can be rotated every 90 degrees.
- Italian EMG motor has two double shield ball bearings with moisture resistant grease for quieter operation and longer life.



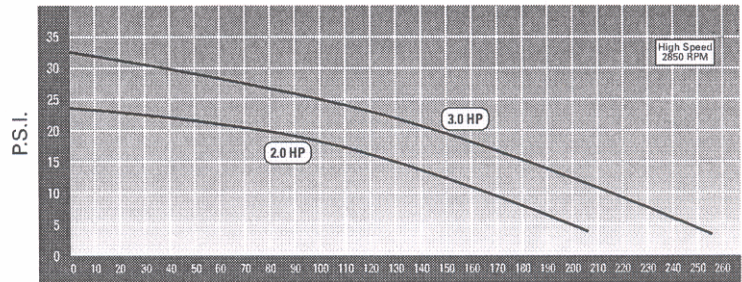
### 1-Speed

Ordering Number	HP	Volts	HZ	Amps
WW3R10850-OD	2	220	50	9.5
WW3R11250-OD	3	220	50	12.3

### 2-Speed

Ordering Number	HP	Volts	HZ	Amps High Speed	Amps Low Speed
WW3R20850-OD	2	220	50	9	1.8

PRESSURE VERSUS FLOW RATE

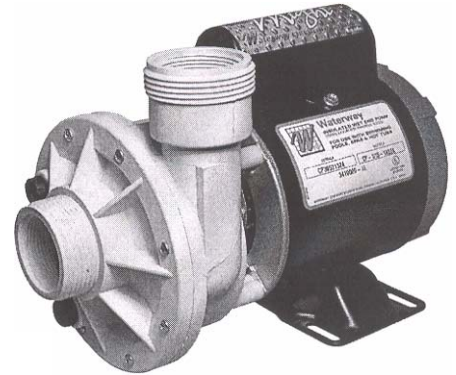


Flow Rate - G.P.M.

## Iron Might Pump

### Features

This 24 hour 48-Frame circulating pump has a side discharge for optimum flow. It delivers 40 GPM at 4ft. of head. The motor is 1/8 HP.

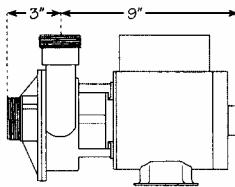
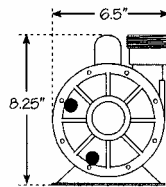


### Ordering Number

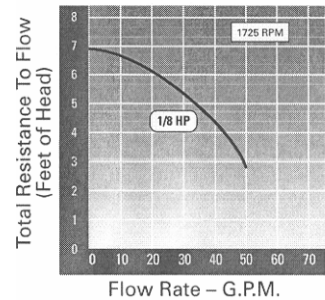
WW3410020-1E

### Description

Circulation Pump 230 Volts 1/8 H.P. 1.3 amps.



PRESSURE VERSUS FLOW RATE



## Pump Unions Assembly



### Ordering Number

WW400-4060

### Description

1-1/2" Socket Pump Union Assembly



### Ordering Number

WW400-5570

### Description

2" Socket Pump Union Assembly



### Ordering Number

WW400-6010

### Description

2-1/2" Socket Pump Union Assembly



### Ordering Number

WW417-4061

### Description

1-1/2" MPT x 1-1/2" Union Tailpiece



### Ordering Number

WW417-6060

### Description

1-1/2" MPT X ( 1-1/4" / 1-1/2" ) Hose Fitting Adapter

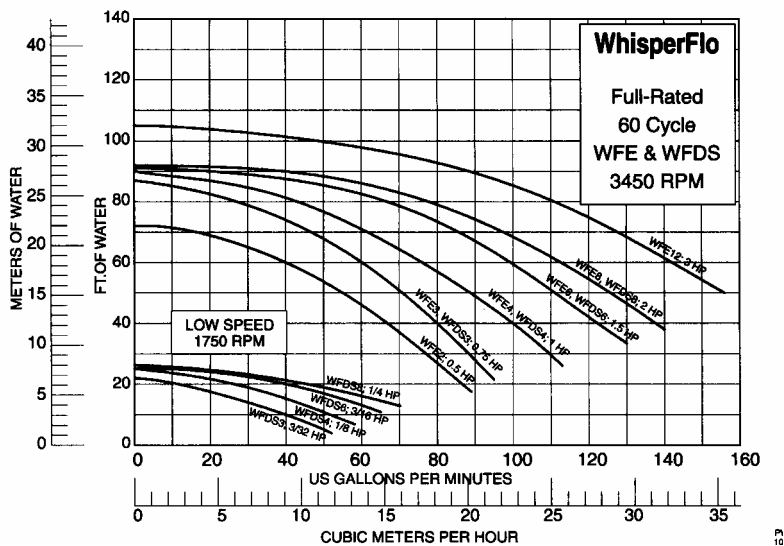
## WhisperFlo® High Performance Pumps

### Features

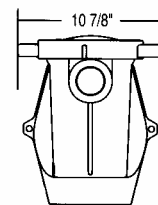
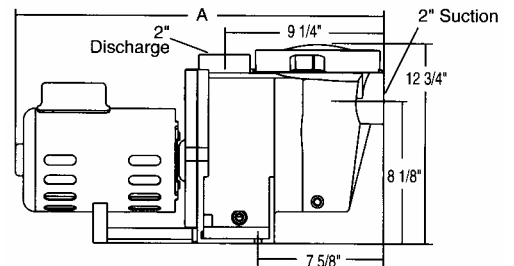
40% glass-filled thermoplastic with the Cam & Ramp™ “see thru” lid design. Self-priming, high flo with patented Funnel-Flo™ diffusers. 2” suction and discharge ports. Motor features threaded shaft and durable commercial duty 56 frame motor with NEMA square flange. It has oversized strainer basket and volute. With lower hp’s deliver higher performance than the industry standard. The WhisperFlo® heavy-duty construction is designed for long life, residential and commercial applications



### Performance



### Dimensions



#### A - varying length:

- ½ & ¾ hp = 24.469"
- 1 hp = 24.72"
- 1½ hp = 25.22"
- 2 & 3 hp = 25.72"

Ordering Number	Model No.	HP	Voltage	Full Load Amps	Weight(Lbs.)
PP011771	WF-23	¾	115/230V	10.5/5.4	41
PP011772	WF-24	1	115/230V	14.2/7.1	41
PP011773	WF-26	1-1/2	115/230V	16/8	46
PP011774	WF-28	2	115/230V	22.4/11.2	54
PP011775	WF-30	2-1/2	230V	11	55
PP011516	WFE-12	3	230V	15	56
<b>Dual Speed</b>					
PP012518	WFDS-26	1-1/2	230V	7.8/3.0	47
PP011524	WFDS-28	2	230V	10/3.5	56

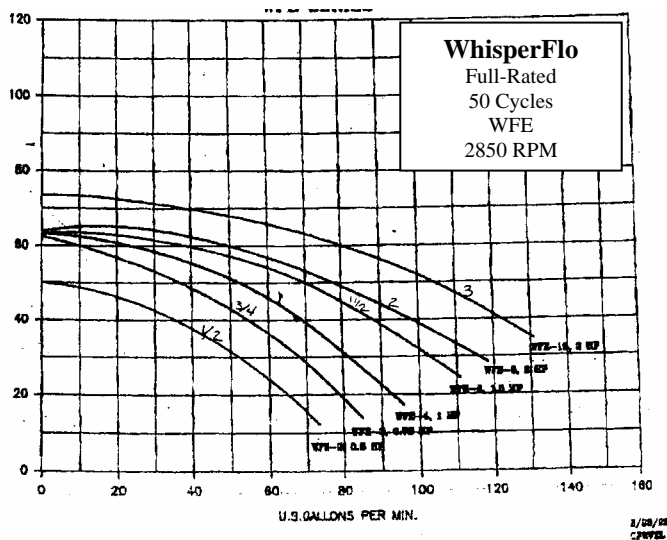
## WhisperFlo® 50 HZ High Performance Pumps

### Features

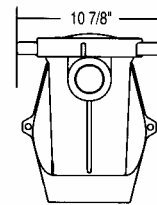
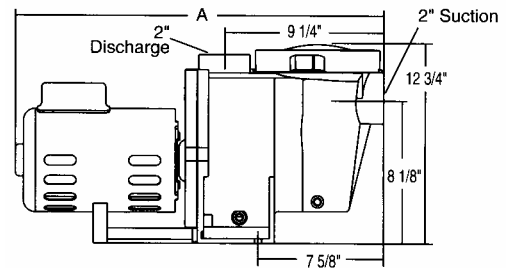
40% glass-filled thermoplastic with the Cam & Ramp™ “see thru” lid design. Self-priming, high flo with patented Funnel-Flo™ diffusers. 2” suction and discharge ports. Motor features threaded shaft and durable commercial duty 56 frame motor with NEMA square flange. It has oversized strainer basket and volute. With lower hp’s deliver higher performance than the industry standard. The WhisperFlo® heavy-duty construction is designed for long life, residential and commercial applications



### Performance



### Dimensions



#### A - varying length:

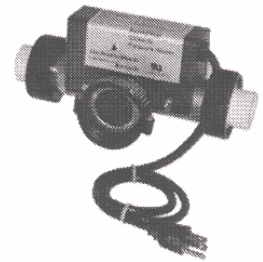
- ½ & ¾ hp = 24.469"
- 1 hp = 24.72"
- 1½ hp = 25.22"
- 2 & 3 hp = 25.72"

Ordering Number	Model No.	HP	Voltage	Full Load Amps	Weight(Lbs.)
PP347927	WFE-3	¾	110/220V	11.2/5/6	41
PP347928	WFE-4	1	110/220V	14.8/7.8	46
PP347929	WFE-6	1-1/2	110/220V	19.6/8.8	54
PP347930	WFE-8	2	220V	11	55

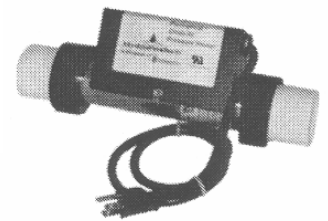
## WHIRLPOOL BATH HEATER

This Hydro products heater has been specifically designed to enhance the enjoyment of your whirlpool bath. Once filled, a built-in thermostat constantly maintains the warm relaxing temperature of the whirlpool bath for as long as you desire. The "Smart Thermostat" requires no adjustment and will automatically maintain the temperature at 102-104 degrees Fahrenheit. The Intelligent High-Limit safety circuit will not "false trip" from hot tap water. It will only turn the heater off if the thermostat fails. It is equipped with a preset pressure or vacuum switch. The pump must be running with water flowing in the whirlpool to allow the heater to turn on.

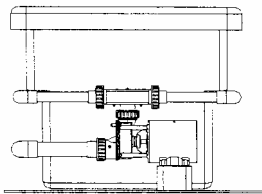
Model	Volts/Amps	Pipe Size	Description
GG935211-21	120/12	1" x 1-1/2" x 1'	1.5 kW Pressure Activated T-Style
GG935212-21	120/12	1"	1.5 kW Pressure Activated In-Line
GG935213-23	120/12	1-1/2"	1.5 kW In-Line Vacuum Activated



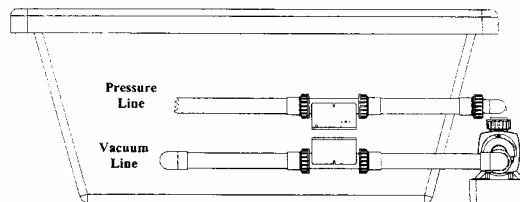
Close Fit Tee Heater



Close Fit In-Line Heater



Tee Installation



Pressure or Vacuum Installation

## BATH HEATER



- HT115C

### Electric Tee Heater

- 1500 Watts, 120V/60 Hz
- "Intelligent" High Limit operation eliminates nuisance tripping, even if tub is filled with hot water.
- 7" Flange to Flange
- Includes 1" socket tailpiece fittings and gaskets for all connections.



## HEATMAX REMOTE HEATER SYSTEM

### FEATURES

Stainless Steel Heater Housing  
240 Volts Operation  
2" Unions on Inlet and Discharge Ports  
Full Range Thermostat  
Heater "On" Indicator Light  
High Limit and Pressure Switch Protected  
2-1/4" High Flow U-Shaped Heater Housing  
Stainless Steel Heater Housing  
One Year Warranty  
Weather-Tight Construction  
"Paint-Lock" rust proof enclosure



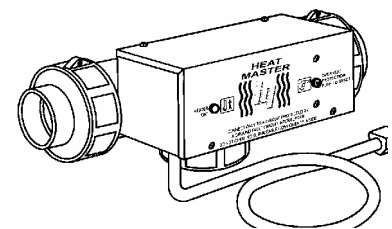
Dimensions  
15" L X 12" H X 4" D

Order No.	Voltage/Amps	Description
HQRHS5.5	240/ 23	5.5KW Heater
HQRHS11	240/ 46	11KW Heater

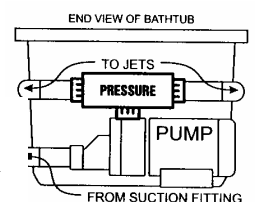


## WHIRLPOOL BATH HEATER

Hydroquip whirlpool bathtub heater has been specifically designed to enhanced the enjoyment of your whirlpool bath. Once filled with the desire temperature, the warm relaxing temperature of the whirlpool bath is constantly maintained by a built-in thermostat, for as long as you desire. The Smart Thermostat requires no adjustment and will automatically maintain the water temperature at 102-104 Fahrenheit. The Intelligent High -Limit switch will not false trip from hot tap water. It will only turn the heater of if the thermostat fails. The heater is equipped with a present pressure switch. The pump must be running with water flowing in the whirlpool to allow the heater to turn on.



T-STYLE INSTALLATION



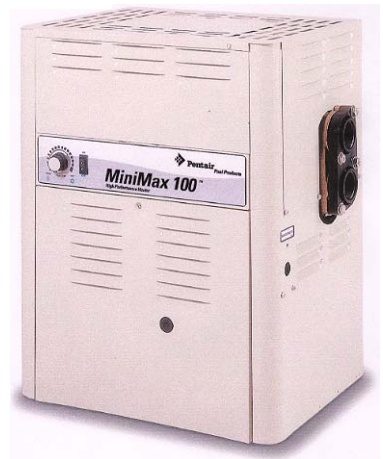
MODEL	VOLT/AMPS	PIPE SIZE	DESCRIPTION
HQCT200-A	240/8	1"x 1-1/2" x 1"	2kW Pressure Activated T-Style 3' Cord



## MiniMax® 100 High Performance Spa Heater

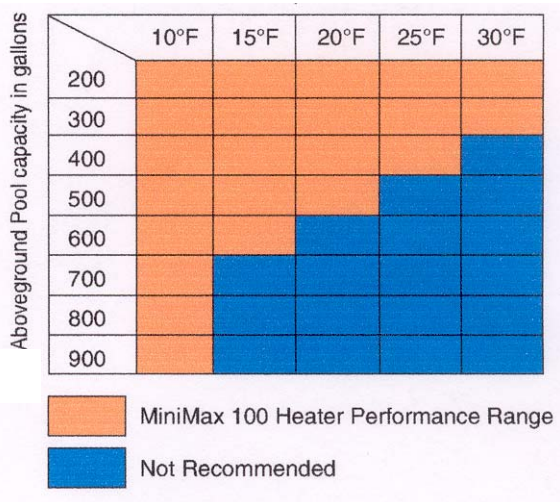
### Features

The MiniMax® 100 is a compact, lightweight and efficient gas fired high performance aboveground pool heater that can be connected to schedule 40 CPVC or ABS pipe and have built-in tops. Reliable direct-spark ignition(DSI) system is available in propane or natural gas versions. Installs to 3,500 ft. altitude

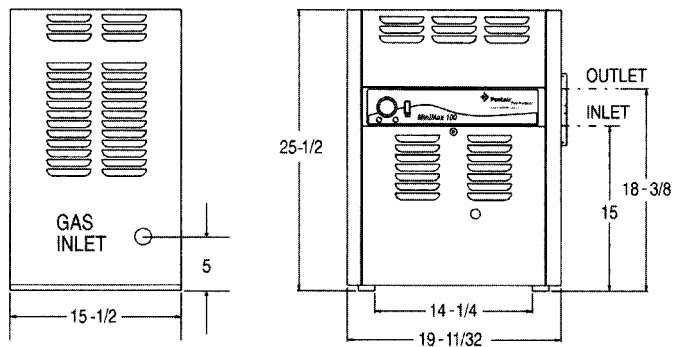


Ordering Number	Description	Weight (Lbs)
PP460347	Minimax 100-100,000 BTU Natural Gas, Electronic Ignition Heater	90
PP460348	Minimax 100-100,000 BTU Propane Gas, Electronic Ignition Heater	90

### Performance (Heat Rise in One Hour)



### Dimensions



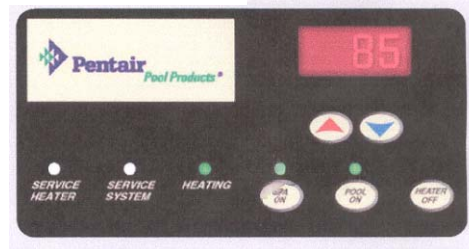
## Master Temp™ High Performance Spa Heaters

### Features

Master Temp™ is fast, efficient, compact, quiet, safe and eco-friendly. No matter what you're seeking in your swimming pool heater, Master Temp™ measures up. It has a very compact design for such a high performance heater allows for smaller overall equipment pads that won't intrude on your spascap. A fully pre-mixed system with a highly efficient air and gas mixture lets Master Temp heat up fast. No long waits before enjoying your pool. Compare energy efficient ratings and you'll find Master Temp at the top of the list. Comfort and economy can go together. It has a hot surface ignition (no pilot light) and pushbutton digital control which make it easy to operate as your home heating system. Plus, user-friendly indicator lights make system operation and monitoring a snap. The easy-to view, rotating digital display places controls front and center, no matter how Master temp is positioned on your equipment pad. A tough, rustproof composite exterior handles the heat and weathers the elements. Eco-friendly, Master temp is certified for low NOx emissions and outperforms industry standards. The safety features includes a water pressure switch that senses the pump is running to prevent overheating; High limit switches assure the heater turns off if water temperature exceeds factory-set limits; manual gas shut-off when service is required; stack flue sensor also guards against overheating.



DIGITAL CONTROL



Ordering Number	Model	Description
PP460730	200	200,000 BTU/HR Natural Gas Spa Heater.
PP460731	200	200,000 BTU/HR Propane Gas Spa Heater
PP460732	250	250,000 BTU/HR Natural Gas Spa Heater
PP460733	250	250,000 BTU/HR Propane Gas Spa Heater
PP460734	300	300,000 BTU/HR Natural Gas Spa Heater
PP460735	300	300,000 BTU/HR Propane Gas Spa Heater
PP460736	400	400,000 BTU/HR Natural Gas Spa Heater
PP460737	400	400,000 BTU/HR Propane Gas Spa Heater

### Spa Sizing

#### Dimensions

All heaters measure  
21L x 21W x 28H

Model	Spa Volume (Gallons)								
	200	300	400	500	600	700	800	900	1,000
Minutes for 30°F Temperature Rise (Heater Input in 1000 BTU/HR)									
200	18.0	27.0	35.0	44.0	53.0	62.0	71.0	80.0	89.0
250	15.8	23.5	30.8	38.5	46.5	54.3	62.0	70.0	77.8
300	13.5	20.0	26.5	33.0	40.0	46.5	53.0	60.0	66.5
400	9.0	13.0	18.0	22.0	27.0	31.0	35.0	40.0	44.0

## UltraTemp™ Heat Pump

### Features

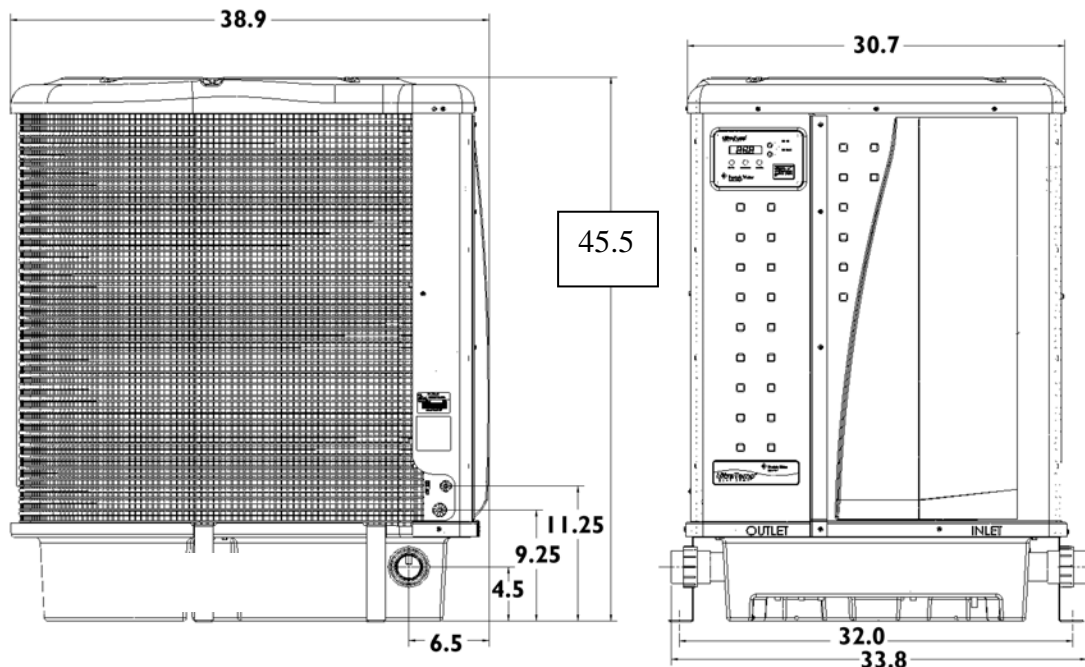


- 100% titanium heat exchanger assures corrosion-free performance for extra long life and value.
- LCD control board displays an intuitive, menu-driven readout with easy to follow, full word messages - no more codes.
- AutoSet (time clock over-ride) feature monitors water temperature and turns the water circulation pump on and off as needed to maintain desired pool temperatures
- Automatic defrost feature senses refrigerant temperature and prevents UltraTemp from freezing, allowing the heat pump to operate at even lower temperatures
- Compatible with All automated control packages
- Long-life corrosion resistant plastic composite cabinet stands up to severe climates and pool chemicals
- Emerson Copeland Scroll Compressor
- ETL listed for safe operation
- Thermostatic Expansion Valve (TXV) controls refrigerant flow for optimum efficiency and BTU output over a wider operating range
- Highest efficiency available, meets or exceeds existing codes and standards
- BTU and efficiency performance independently certified by the Air-Conditioning, Heating and Refrigeration Institute, AHRI.

### Compare the Cost

Fuel Type	Cost/Per	BTU/\$.01
Electric	\$.075/KWh	455
LP Gas	\$.99/Gal	653
Oil	\$.99/Gal	979
Natural Gas	\$.65/Therm	1077
UltraTemp	\$.075/KWh	2093

Ordering Number	Description	BTUs/COP	Breaker Size	Wire Size	Weight
PP460932	UltraTemp Heat Pump 110	108,000/5.8	50 amp	8	270 Lbs
PP460933	UltraTemp Heat Pump 120	125,000/5.5	50 amp	8	270 Lbs.



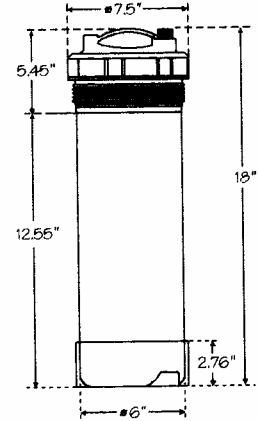
## Top Load Cartridge Filter



### Features

This 2" Top Load Cartridge Filter has a ring lock access to filter element for easy servicing. Its bypass valve allows full pump flow on high speed

Ordering Number	Description
WW502-5010	2" - 50 Sq. Ft. Cartridge- Bypass Valve

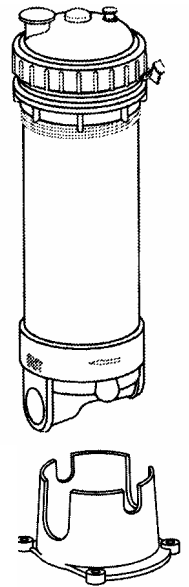


## Dynamic Series Cartridge Filters

The dynamic series cartridge filters have a 2" socket connection with a 3 oz cartridge. Its bypass valve allows full pump flow on high speed. There is an optional free standing base.

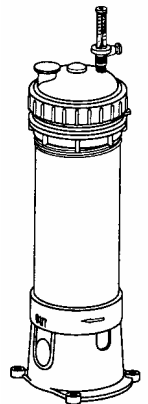
### Model RTL

Ordering Number	Description
PPR172502J	2" -- 25 Sq. Ft. Cartridge Filter w/ bypass Valve
PPR172504B	2" -- 50 Sq. Ft. Cartridge Filter w/ bypass Valve
PPR172452	Free standing base Cartridge Filter



### Model DSC

Ordering Number	Description
PPR172505P	2"—100 Sq. Ft. Cartridge Filter. 100 GPM Max



## Clean & Clear® Cartridge Filters

### Fiberglass Reinforced Polypropylene Tank



### Features

The Clean & Clear® Filter features a chemical resistant tank with no-tool servicing and coreless cartridge for easier cleaning. All models are equipped with easy spin-on unions for plumbing hook-ups. These filters are NSF listed for commercial applications. It has an integrated continuous High Flow™ internal air relief in operation only when there is unobstructed flow in the circulating system

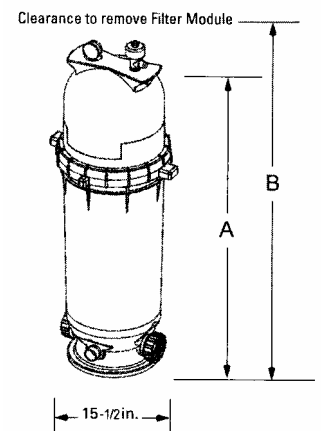
### Performance

Model No.	Area	Flow Rate	Turnover Capacity in Gallons		
			8 hour	10 hour	12 hour
CC50	50	50	24,000	30,000	36,000
CC75	75	75	36,000	45,000	54,000
CC100	100	100	48,000	60,000	72,000
CC150	150	150	72,000	90,000	108,000
CC200	200	200	72,000	90,000	108,000

Ordering Number	Model No.	Description	Weight
PP160314	CC50	50 Sq. Ft. Cartridge Filter	15lbs.
PP160315	CC75	75 Sq. Ft. Cartridge Filter	26lbs.
PP160316	CC100	100 Sq. Ft. Cartridge Filter	33lbs.
PP160317	CC150	150 Sq. Ft. Cartridge Filter	35lbs.
PP160318	CC200	200 Sq. Ft. Cartridge Filter	35lbs.

### Dimensions

Model No.	A Dim	B Dim.
CC50	18"	30"
CC75	25-1/2"	39"
CC100	33"	61"
CC150	40-1/2"	76"
CC200	40-1/2"	76"





## SAVI Pool and Spa Lights

A small but powerful lighting system designed to create even illumination and colorful lighting effects throughout your pool and spa. Fits into standard wall fittings. Requires a 12V transformer

### Features

- Wire Direct to 12 VAC Low Voltage Circuit
- No Niche
- No Grounding
- No Bonding
- Installs into 1-1/2" fittings
- Easy Installation
- 5 static color modes
- 4 exciting color transition shows
- Auto Memory

### Installation Requirements

- 4" minimum below waterline
- 14" minimum length of 1-1/2" diameter PVC behind wall fitting.
- Reduce to a 1" diameter conduit for the cable run to the transformer

### Savi MELODY



#### Ordering Number

OWSAVI- MELODY100 14 Watts, 12 Volts, 100 ft. cord SAVI MELODY LED Color-changing light

### Savi SOL



#### Ordering Number

OWSAVI- SOL100 28 Watts, 12 Volts, 100 ft. cord SAVI SOL LED Color-changing light

### Savi MELODY BLANCO



#### Ordering Number

#### Description

OWMB-100 10 Watts, 12 Volts, 100 ft. cord SAVI MELODY BLANCO LED White light

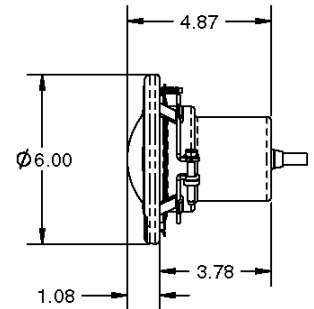
OWMB-150 10 Watts, 12 Volts, 150 ft. cord SAVI MELODY BLANCO LED White light



## IntelliBrite Color LED

### Features

**IntelliBrite®** automated color-changing pool and spa lights feature LED technology—the wave of the future in energy efficiency, lifetime value, quality of light, and the ability to control it. With IntelliBrite, combinations of individual colored LEDs are mixed and matched to achieve a vibrant spectrum of colors. These combinations are power sequenced to illuminate and cycle through colors at varying speeds, and in different sequences of color. Combined with a custom reflector and unique lens design, the IntelliBrite is the brightest and most efficient underwater LED light available.



Ordering Number	Description	Weight (Lbs.)
PP640130	12 Volts, 30 ft Cord, Intellibrite 5g Color Spa Light	9.5
PP640131	12 Volts, 50 ft Cord, Intellibrite 5g Color Spa Light	13
PP640132	12 Volts, 100 ft. Cord Intellibrite 5g Color Spa Light	16
PP640133	12 Volts, 150 ft. Cord Intellibrite 5g Color Spa Light	22.5

## Intellibrite White LED

**IntelliBrite®** White LED offers a brighter, more energy efficient alternative to incandescent white lighting. Utilizing its array of LEDs, it is also ideal for commercial applications.

Ordering Number	Description	Weight (Lbs.)
PP640150	12 volts, 30 ft cord Intellibrite 5g White Spa Light	5.5
PP640151	12 volts, 50 ft cord Intellibrite 5g White Spa Light	7
PP640152	12 volts, 100 ft cord Intellibrite 5g White Spa Light	16.5
PP640153	12 volts, 150 ft cord Intellibrite 5g White Spa Light	22.5

## SpaBrite®

### Incandescent Lights for Spa

#### Features

SpaBrite® light with stainless steel face ring is perfect for spas and areas where space is not available for a full-size light. SpaBrite® light install in a small stainless steel Pentair niche. It has a gold diffused low water cutoff. Each light comes complete with a magenta and blue lens cover.

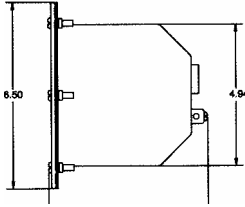
Ordering Number	Description
PP78101200	100 watts, 12 volts, 15 ft cord Spa Light
PP78108200	100 watts, 12 volts, 50 ft cord Spa Light
PP78107500	100 watts, 12 volts, 100 ft cord Spa Light

*Note: All cord lengths over 50 feet on 12 volt lights create resistance that dramatically reduces the light output. This condition exists on all low voltage lights regardless of design or manufacturer.*



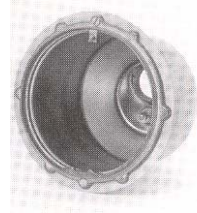
*Notice: Underwriters Laboratories has listed Pentair Pool Products lights for use with Pentair Pool Products, American Products, Purex, or PacFab niches only. To ensure proper grounding/bonding connections install only Pentair Pool Products lights in Pentair Pool Products, American Products, Purex, or PacFab niches.*

## Pentair Small Stainless Steel Niche for Spa



### Features

Small Stainless Steel Niches are formed with brass fittings. All niches have internal and external bonding lugs and can be used with either metal or PVC Conduit. It has a 1" Brass Hub



*Notice: Underwriters Laboratories has listed Pentair Pool Products lights for use with Pentair Pool Products, American Products, Purex, or PacFab niches only. To ensure proper grounding/bonding connections install only Pentair Pool Products lights in Pentair Product lights in Pentair Pool Products, American Products, Purex, or PacFab niches*

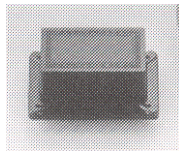
### Ordering Number

PP78243300

### Description

1" Top Hub Stainless Steel Niche

## Junction Box



Polycarbonate Cover with Brass Base.  
Built-in strain relief

### Ordering Number

PP78310700

### Description

¾" x 1" x ¾" Ports. Pool Junction Box



## PX100 & PX300 Series Safety Transformers



These Safety Transformers are specifically designed to supply 12 volts to pool/spa lights, submersible fixtures and outdoor garden lights. A grounded shield between the primary and secondary windings assures safe operation and the built-in circuit protection will disconnect power to the transformer in case of defect or overload.

Applications:

• Pool Lights • Spa Lights • Garden Lights • Fountain Lights

Specifications:

PX100/S, PX300/S

Enclosure: Stainless steel or steel with electrostatically applied light beige finish

Mounting brackets top and bottom

7.25 in. (19.4 cm) H x 5.25 in. (13.3 cm) W x 4.5 in. (11.4 cm) D

Knockouts: Total of ten combination 1/2 – 3/4 in. knockouts, (2) right side, (2) left side, (2) back, (4) bottom

### Ordering Number

IIPX100S

IIPX300S

### Description

100 Watt, 120-12-13 Volts Stainless Steel Pool Transformer

300 Watt, 120-12-13-14 Volts Stainless Steel Pool Transformer



## Spa Blowers

### The Silencer Series

A QUALITY  
PRODUCT  
MADE IN  
**USA**

The **Silencer** is a premium quality outdoor rated super quiet air blower. It includes clear union spring check valve.



Order No.	HP	Voltage	Amps
AS6310120	1	120	4.5
AS6310220	1	240	2.4
AS6316120	1.5	120	7
AS6316220	1.5	240	3.5
AS6320120	2	120	9
AS6320220	2	240	4.5

### Ultra 9000 Series

A QUALITY  
PRODUCT  
MADE IN  
**USA**

The Ultra 9000 is our most popular portable spa blower. It is super quiet with re-designed intake manifold.



Order No.	HP	Voltage	Amps
AS3910120	1	120	4.5
AS3910220	1	240	2.4
AS3913121	1-1/2	120	7
AS3913220	1-1/2	240	3.5
AS3918120	2	120	9
AS3918220	2	240	4.5

Performance for the Silencer Series With High Performance Motors			
HP	Voltage	Amps	Max. Inches Of Water
1	120	4.5	65
1	240	2.5	70
1.3	120	7	95
1.3	240	3.5	95
1.8	120	9	110
1.8	240	4.5	120

Performance for the Ultra 9000 Series With High Performance Motors			
HP	Voltage	Amps	Max. Inches Of Water
1	120	4.5	65
1	240	2.4	70
1.3	120	7	95
1.3	240	3.5	95
1.8	120	9	110
1.8	240	4.5	120

## GAST CONTINUOUS DUTY COMMERCIAL AIR BLOWER

The Gast blowers are designed for Spa continuous-running operation in health clubs, condominiums, hotel, and motels. New compact design. UL recognized motors. Low noise level, well within OSHA regulations. 50/60 cycle motors. Continuous non-pulsating oil free airflow



Order No.	Description
ASR4110-2	1.0 HP Single Phase 50/60 Cycle Spa Duty
ASR4P115	1.5 HP Single Phase 50/60 Cycle Spa Duty
ASR5125-2	2.5 HP Single Phase 50/60 Cycle Spa Duty
ASR5325A-2	2.5 HP Three Phases 50/60 Cycle Spa Duty



## LEN GORDON AIR SWITCHES JAG SERIES AIR SENSORS

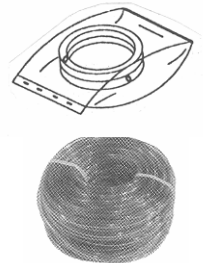
Single-function switches with latching configuration



Order No.	Description
AI860016-3	JAG-3X25A-120/240V, 25Amp, 1 or 2HP, SPDT (Panel Mount) Latching Switch to operate single piece of equipment on/off. (Maximum air tubing distance is 15 feet.)

## VINYL AIR TUBING

Order No.	Description
GG63000	1/8" ID X 1/4" OD Tubing, 10 feet (1 kit) Clear Vinyl
AI991100-000	1/8" ID X .220 OD Tubing 100 feet Roll Clear Vinyl
GG63015	1/8" ID X 1/4" OD Tubing 500 feet Roll Clear Vinyl

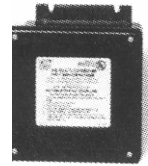


**LEN GORDON GENUINE  
TWO AND THREE FUNCTION CONTROLS**

Time tested and versatile  
Unsurpassed safety air switches. Perfect for use in wet environments  
Such as swimming pools, spas, jetted tubs, steam baths or water-intensive  
manufacturing processes.

**ON/OFF CONTROLS (Air Buttons sold separately)**

<b>Order No.</b>	<b>Description</b>
AI923100-001	ES-COMBO 120/240V, 20Amp Circuit, 1 to 2HP On/Off control to operate a single piece of equipment. (Maximum Air tubing distance is 15ft. Must use a #15 button only)
AI921305-001	AS-MULTI COMBO-95 120/240, 20Amp Circuit, 1 to 2HP On/Off control to operate a single piece of equipment with optional external time clock. (Will control single or two speed pump. Neutral required.)
AI922005-001	AS-2-95 240V, 20Amp Circuit, 2HP On/Off to operate a single piece of equipment. (No neutral required.)
AI923055-001	AS-TC-94 120/240V, 20 Amp Circuit, 1 to 2 HP On/Off control with built-in time clock. Operates single piece of Equipment. Will control single or two speed pump. Neutral required.



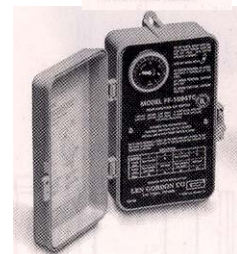
**TWO-SPEED CONTROL (Air Button Sold Separately)**

AI923305-001	3F-95 120/240V, 20Amp Circuit, 1 to 2HP Three function control to operate two-speed pump or any two pieces of equipment. (Neutral required.)
--------------	--

**LEN GORDON GENUINE  
FOUR FUNCTION CONTROLS**

Offers a simple and reliable four function control for any two pieces  
of equipment with one air button. Control distance up to 150ft.

<b>Order No.</b>	<b>Description</b>
AI910100-007	FF-1094 120/240V, 20Amp Circuit, 1 to 2HP Four function control to operate two pieces of equipment with single air button. (Will control a single or two speed pump and blower. External time clock adaptable. Neutral required.)
AI910105-001	FF-1094F 240V, 20Amp Circuit, 1 to 2HP Same as FF-1094. ( No Neutral required.)
AI910106-007	FF-1094TC 120/240V, 20Amp Circuit, 1 to 2HP Same as FF-1094 with built-in 24-hour time clock which is easily programmable in 15-minute increments.
AI910108-007	FF-1094LTC 120/240V, 20Amp Circuit, 1 to 2HP. Same as FF-1094TC plus an auxiliary circuit. This circuit is controlled by second air button to operate third piece of equipment on/off. (Neutral required.)



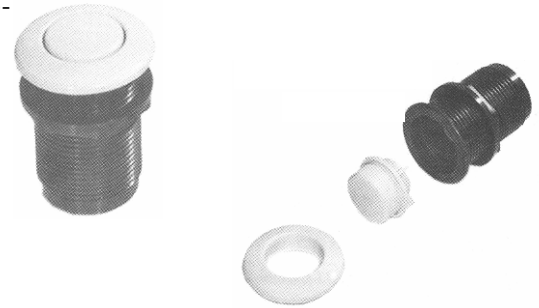


**LEN GORDON GENUINE AIR BUTTONS**

**# 15 CLASSIC TOUCH ® AIR BUTTON**

Up to 150-foot control distance with Len Gordon momentary air sensor or 15-foot control distance with Len Gordon latching air sensors. Requires 1-3/8" mounting hole.

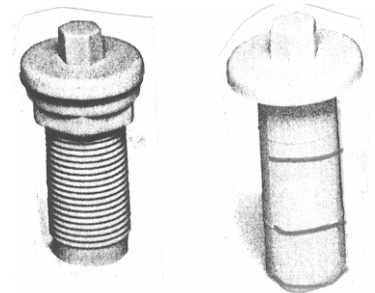
<b>Order No.</b>	<b>Description</b>
AI951590-003	#15 Button Body for all colors
AI951601-000	White Trim Kit
AI951602-000	Bone Beige Trim Kit
AI951608-000	Silver Gray Trim Kit
AI951730-000	Chrome Metal Trim Kit
AI951741-000	Polished Brass Metal Trim Kit



**#4 LITE TOUCH ® AIR BUTTON**

Designed for fiberglass, wood, gunite and jetted spa applications.

<b>Order No.</b>	<b>Description</b>
AI950401-000	White Standard Finish Model
AI950410-000	White Gunite Model



**#10 POWER TOUCH™ AIR BUTTON**

Up to 150-foot control distance with Len Gordon momentary air sensor or 15-foot control distance with Len Gordon latching air sensor. Requires 1-3/4" mounting hole.

<b>Order No.</b>	<b>Description</b>
AI951001-000	White Smooth Finish button cap



**FLUSH AIR BUTTON**

Flush , bellows economy air button for the budget minded. Required 1-5/16" mounting hole

<b>Order No.</b>	<b>Description</b>
GG13082WH	On/Off Flush Button White
GG13082BO	On/Off Flush Button Bone
GG13085PC	On/Off Flush Button Plastic Chrome





Installation Kit (Included)

- Pump, Blower & Ozone Cords
- Air Transmitters
- Air Tubing
- Tailpieces w/Gaskets

**CS500T-A**  
**Air Control System**

**THIS CONTROL WILL OPERATE**  
**1 PUMP & BLOWER**  
**115 VOLTS**

Compact-Classic- Convenient: Three words that come mind when describing the satisfaction of installing and /or owning a CS500 series control from Hydro-quip. From the classic electro-mechanical reliability of the components to the corrosion-proof ABS heater housing

Features\

- 1.125 kW Heater in ABS Housing
- 24hr Timer with Mode Switch
- Full Range Thermostat
- Ozone circuit
- Light Circuit
- 15A GFCI Cord End
- “Paint-Lock” rust proof electrical enclosure
- Heater “ON” indicator Light

Electrical Output Specification:

Circuit	Maximum Amps
Pump	13A
Blower	8A
Ozone	2A
Heater	18.75A



HEATER  
SLIDES  
FROM TOP  
TO BOTTOM  
WITH EASE!

**NEW HEATER “SLIDE” FEATURE!**

Installation Kit (included)

- Pump, Blower & Ozone Cords
- Air Transmitters
- Air Tubing
- Tail w/Gaskets

**CS6009-US1-HC**  
**SLIDE Series**  
**Air Control System**

**THIS CONTROL SYTEM WILL**  
**OPERATE 2 PUMPS & BLOWER**  
**120/240 VOLTS**

The Hydro-Quip CS6000 Slide Series control is our most versatile Electro-Mechanical unit we have to offer. It’s the only unit of its kind with vertically adjustable heater that can also be removed and installed remotely.

Features

- 1.375/5.5 kW “Slide” Heater Assembly
- 24hr Timer with Mode Switch
- Full Range Thermostat
- Ozone Circuit
- “VDS” Visual Diagnostics
- Lighted Smart Cords
- “Paint-Lock” rust proof enclosure
- Heater “ON” indicator Light
- High Current GFCI

**CS6008-US1-HC-VH  
VERSI-HEAT  
AIR CONTROL  
SYSTEM**

**THIS CONTROL SYSTEM WILL  
OPERATE UP TO 2 PUMPS OR  
1 PUMP & BLOWER  
120/240 VOLTS**



The Hydro-Quip solid-state CS6000 series controls represent the finest in classic Electro Mechanical dependability. The durability of the components used in mechanical controls is legendary and Hydro-Quip bares no expense at equipping these controls with the best available.

**Features**

- 1.375/5.5kW VERSI-HEAT Assembly
- 24hr Timer with Mode Switch
- Full Range Thermostat
- Ozone circuit
- “VDS” Visual Diagnostics
- Lighted Smart Cords
- “Paint-Lock” rust proof enclosure
- Heater “ON” indicator Lights
- High Current GFCI



**Installation Kit (Included)**

- Pump, Blower & Ozone Cords
- Air Transmitters
- Air Tubing
- Tailpieces w/Gaskets

**Electrical Output Specification**

Circuit	Maximum Amps
Pump	13A
Blower	8A
Ozone	2A
Heater	23A



**ES6000—C5-U1-HC  
AIR EQUIPMENT  
SYSTEM**

The Hydro-Quip ES6000 series equipment represents the finest in classic Electro Mechanical dependability. It includes 1.5 HP two speed pump, 1HP blower and a complete spa control system in one complete package.

**Features**

- 5.5 kW Heater Assembly
- 1.5 HP Two Speed Pump 240 Volts
- 1 HP Blower 120 Volts
- 24hr Timer with Mode Switch
- Full Range Thermostat
- Ozone Circuit (120V/240V)
- \* Light Circuit (12 Volts)
- \* “VDS” Visual Diagnostics
- \* Lighted Smart Cords
- \* “Paint-Lock” rust proof enclosure
- \* Heater “ON” indicator Light
- \* High Current GFCI

**CS6209-US-HC**  
**Solid State Control System**

**THIS CONTROL SYSTEM  
WILL OPERATE 1 PUMP  
& BLOWER  
120/240 VOLTS**



The CS6000 Slide Series Control Systems were designed for the spa and service professional. Mount the heater where you need it anywhere along the back of the control box, underneath, or remote.

**Features**

- 1.325/5.5kW “SLIDE” Heater Assembly
- Ozone Circuit
- Light Circuit (12V)
- Smart-Freeze Protection
- “VDS” Visual Diagnostics
- Lighted Smarts Cords
- Heater “ON” Indicator Light
- High Current GFCI



**Installation Kit Included**

- Spaside Control
- Pump, Blower & Ozone Cords
- Thermo-well Housing
- Tailpieces w/Gaskets
- Spaside Adapter Plate

**Electrical Output Specification**

Circuit	Maximum Amps
Pump	13A
Blower	8A
Ozone	2A
12V Light	1A
Heater	23A

**CS6208-US-HC-VH**  
**Solid State Control System**

**THIS CONTROL SYSTEM  
WILL OPERATE 1 PUMP  
& BLOWER  
120/240 VOLTS**



The CS6000 Series VERSI-HEAT™ Solid State control represents the finest entry to mid level control system on the market today.

**Features**

- 1.375/5.5kW VERSI-HEAT Assembly
- Ozone circuit (120V/240V)
- Light Circuit (12V)
- “VDS” Visual Diagnostics
- Lighted Smart Cords
- “Paint-Lock” rust proof enclosure
- Heater “ON” Indicator Light
- High Current GFCI

**Installation Kit includes:**

- Spaside Control
- Pump, Blower & Ozone Cords
- Thermo-well Housing
- Tailpieces w/Gaskets
- Spaside Adapter Plate



**CS7509-US**  
**Solid State Control System**

**THIS CONTROL SYSTEM  
WILL OPERATE 1 PUMP  
& BLOWER  
120/240 VOLTS**



NEW HEATER "SLIDE" FEATURE!

HEATER SLIDES FROM TOP TO BOTTOM!

The CS7000 SLIDE series control system is the smallest of our SLIDE series units and replaces many of the compact units on the market today. This unit offers basic features in a compact control box.

**Features**

- 1.325/5.5kW "SLIDE" Heater Assembly
- Ozone Circuit
- Light Circuit (12V)
- Smart-Freeze Protection
- Brushed Aluminum Enclosure
- Heater "ON" Indicator Light



**Installation Kit Included**

- Spaside Control
- Pump, Blower & Ozone Cords
- Thermo-well Housing
- Tailpieces w/Gaskets
- Spaside Adapter Plate

**Electrical Output Specification**

Circuit	Maximum Amps
Pump	13A
Blower	8A
Ozone	2A
12V Light	1A
Heater	23A

**ES6200-C-HC**  
**Solid State Control System**

**THIS CONTROL SYSTEM  
WILL OPERATE 1 PUMP  
& BLOWER  
120/240 VOLTS**

The ES6000 series equipment system incorporates a pump and a blower with our most economical in solid state controls.

**Features**

- 5.5kW Heater Assembly
- 1.5 HP 120 V 2 SPD Pump
- 1 HP Blower 120 V
- Ozone circuit (120V/240V)
- Light Circuit (12V)
- Lighted Smart Cords
- "Paint-Lock" rust proof enclosure
- Pressure Switch Protected
- High Current GFCI

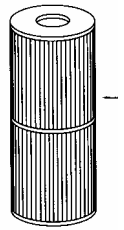






## Dynamic Series Replacement Cartridges

Order No.	Description
PSR173434	Replacement Cartridge for RDC50T filter
PRS173436	Replacement Cartridge for DSC-100S filter



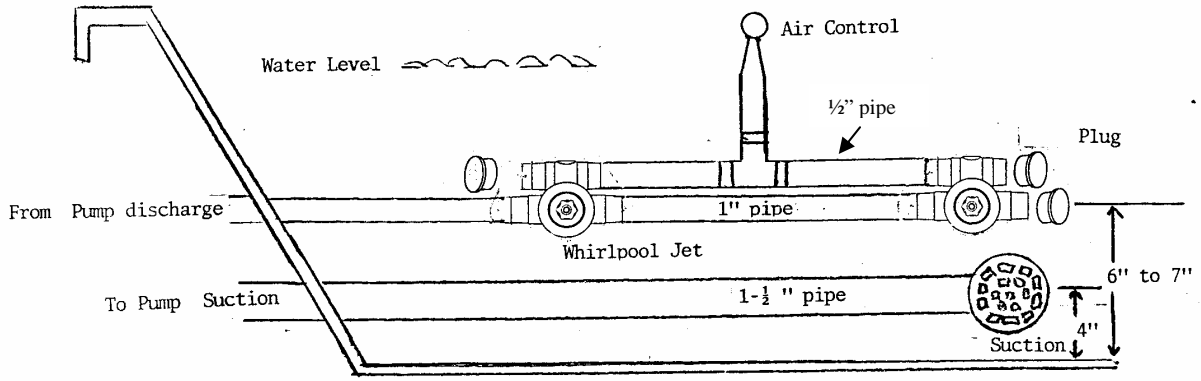
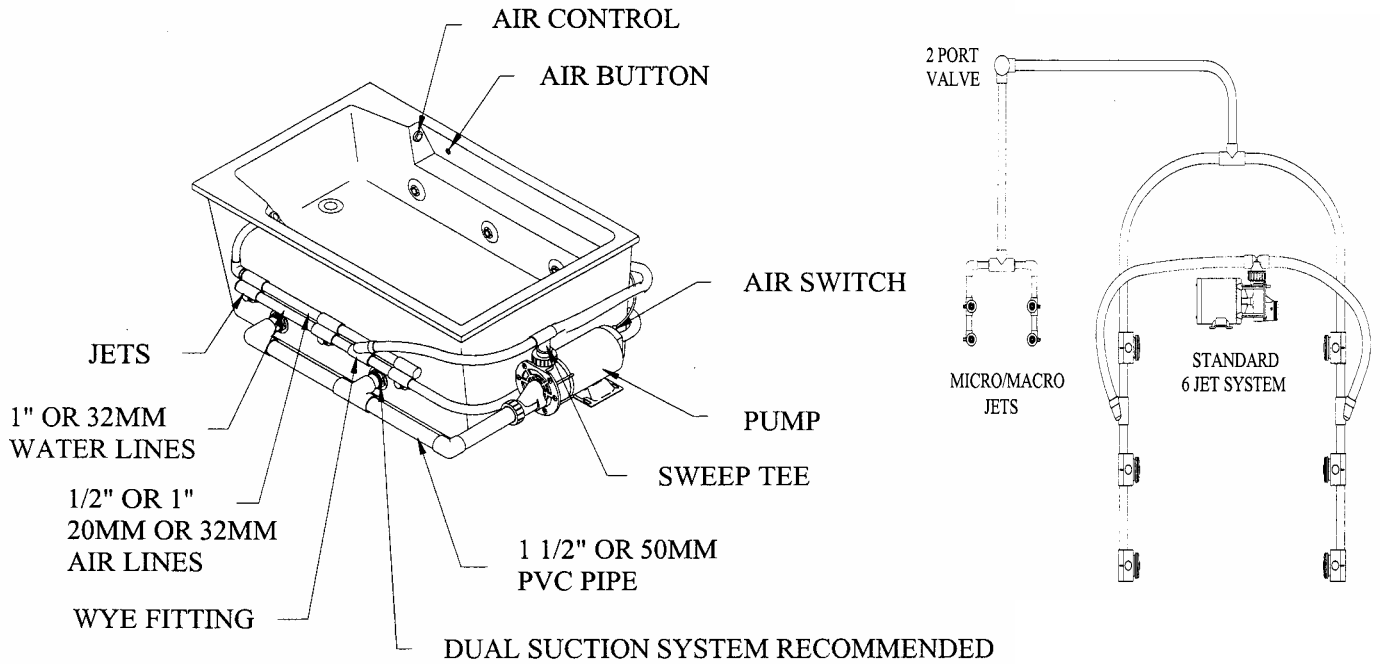
## Replacement Filter Elements

ORDERING NUMBER	DESCRIPTION	FILTER MODEL
UN4326	25 SQ FT Dynamic Replacement	R173429
UN4950	50 SQ FT Dynamic Replacement	R173434
UN4999	100 Sq FT Dynamic Replacement	S173436
UNC5601	25 SQ.FT Jacuzzi Front Load Replacement	CF25
UNC5624	25 SQ.FT Jacuzzi Whirlpool Replacement	
UNC5625	25 SQ.FT Jacuzzi Replacement	CFT-25
UNC7660	60 SQ.FT Pentair Replacement	MY-60
UNC7676	75 SQ.FT Hayward Replacement	CX750-RE
UNC7699	100SQ.FT Pentair Replacement	MY-100
UNC8409	90 SQ.FT. Hayward Replacement	CX900-RE
UNC8412	120 SQ.FT Hayward Replacement	CX1200-RE
UNC8417	175 SQ.FT Hayward Replacemant	C1750-E
UNC8600	80 SQ.FT Hayward Replacement	CX800-RE
UNC8610	100 SQ.FT Hayward Replacement	CX1100-RE
UNC9405	50 SQ.FT Predator Replacement	
UNC9407	75 SQ.FT Predator Replacement	
UNC9410	100 SQ.FT Predator Replacement	
UNC9415	150 SQ.FT Predator Replacement	
UNC9419	200 SQ.FT. Predator Replacement	
UNC9475	75 SQ.FT. Jacuzzi Replacement	CFR-75
UNC9478	150 SQ.FT Jacuzzi Replacement	CFR-150
UNC9480	80 SQ.FT Jacuzzi Replacement	SHER 80
UNC9481	120 SQ.FT Jacuzzi Replacement	SHER 120
UNC9482	160 SQ.FT Jacuzzi Replacement	SHER 160
UNC9483	200 SQ.FT. Jacuzzi Replacement	SHER 200
UN C9650	50 SQ.FT. Jacuzzi Replacement	CFR-50
UN C9699	100 SQ.FT. Jacuzzi Replacement	CFR-100
UNUHDSR50	50 SQ.FT. Sta-Rite Replacement	
UNUHDSR100	100 SQ.FT. Sta-Rite Replacement	
UNUHDSR137	137 SQ.FT. Sta-Rite Replacement	



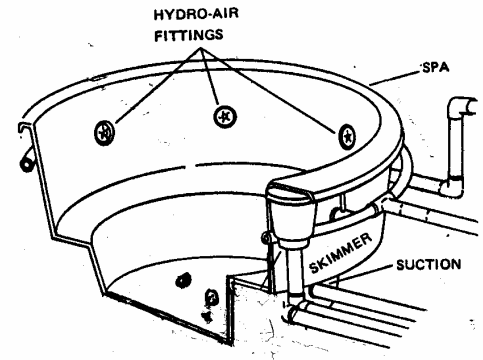
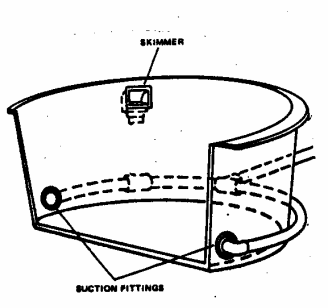
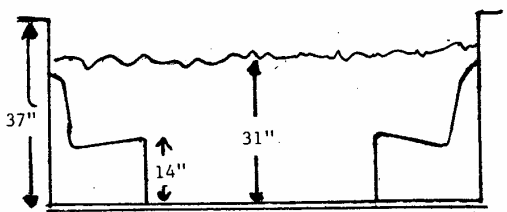
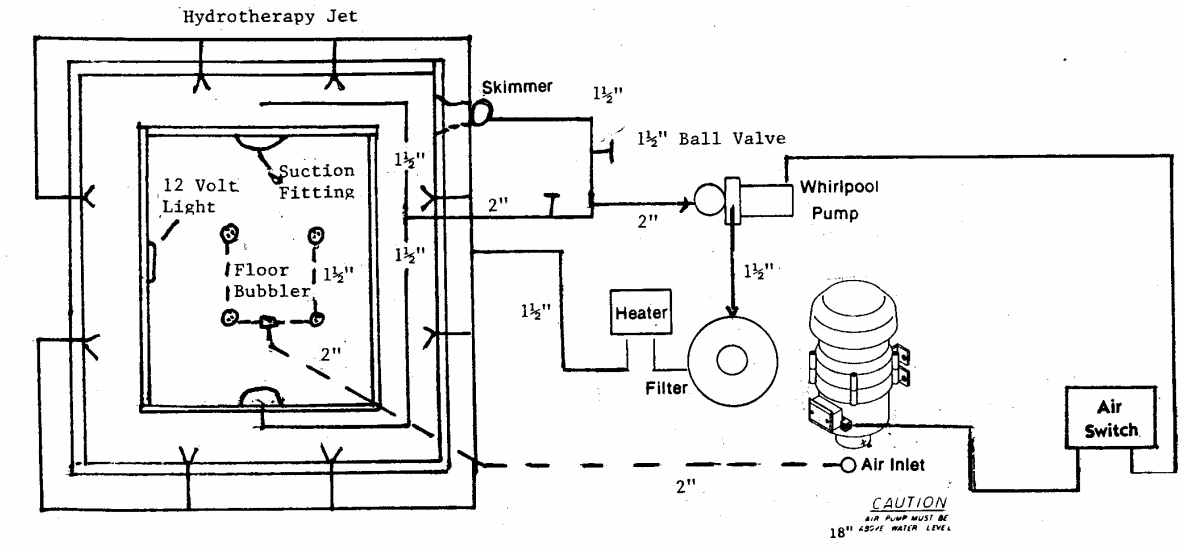
**PLUMBING DIAGRAMS**

**TYPICAL PLUMBING SYSTEM FOR WHIRLPOOL BATH**



**PLUMBING DIAGRAMS**

**TYPICAL LARGE CUSTOM SPA**



# HydroAir

**INSTALLATION INSTRUCTIONS FOR:**  
**FIS GUNITE MICRO'SSAGE®**  
**FIS GUNITE CONVERTA'SSAGE**

HA16-5280  
HA10-4553

- Using PVC cement, glue a piece of 2 1/2" PVC pipe into the jet body, which is long enough to extend past the plaster/finish line of the spa.
- Plumb the jet at the desired location. Anchor the jet so it will remain straight (perpendicular to the plaster/finish line of the spa).

NOTE: Unit must be installed at least 8" below the water level. If unit is installed less than 8" below the water level, water may splash out of the spa when jets are turned on.

- Using PVC cement, glue a 2 1/2" cap over each open end of 2 1/2" pipe for pressure test.
- After gunite, plaster and pressure test are complete, cut the 2 1/2" pipe flush to the plaster/finish line of the spa wall. (See Diagram 1)
- Using PVC cement, glue a piece of 1/2" pipe, which is long enough to be flush with or extend beyond the finish line of the spa, into the nozzle adapter (P/N 16-5287).
- Thread (hand-tight) the 1/2" pipe/nozzle adapter assembly (created in Step 5) into the jet assembly. (See Diagram 2)
- Use straight edge across the 1/2" pipe to mark Cut-Line #1 flush with the finish line of the spa. Remove the 1/2" pipe/nozzle adapter assembly and cut pipe at the Cut-Line #1 mark. (See Diagram 3)
- Stand Fitting (P/N 16-5288) on flat surface. Sit the 1/2" pipe/nozzle adapter assembly on the flange of the Fitting (P/N 16-5288) and mark Cut-Line #2 on the 1/2" pipe. (See Diagram 4)

Cut 1/2" pipe at the Cut-Line #2.

- Glue a coupling onto a scrap random length of pipe. Slide coupling (DO NOT GLUE) onto the 1/2" pipe/nozzle adapter assembly. (See Diagram 5).

Use this extension to screw 1/2" pipe/nozzle adapter assembly into the jet body. Center extension in pipe, then pull coupling extension off and out.

- Slip Fitting (P/N 16-5288) onto 1/2" pipe/nozzle adapter assembly. Push or tap nozzle fitting "Home". (See Diagram 6)

The Fitting with the 1/2" pipe/nozzle adapter assembly must fit flush with pool/spa wall as shown. If not - Remove the 1/2" pipe/nozzle adapter and shorten as needed to fit the nozzle flush. Once fit is correct, remove Fitting from the 1/2" pipe/nozzle adapter, and glue in place.

- Thread the assembly created in Step 10 into the corresponding jet location in the spa. When the assembly is threaded all the way in, the flange of the fitting should be flush with the spa wall/plaster. (See Diagram 7).

- Install either a Micro'ssage® Grill & Flowpath Assembly (P/N 16-5230) or a Converta'ssage™ Escutcheon Assembly (P/N 10-4505). Both Assemblies twist-lock into place.



PART NO. 16-5230



PART NO. 10-4505

